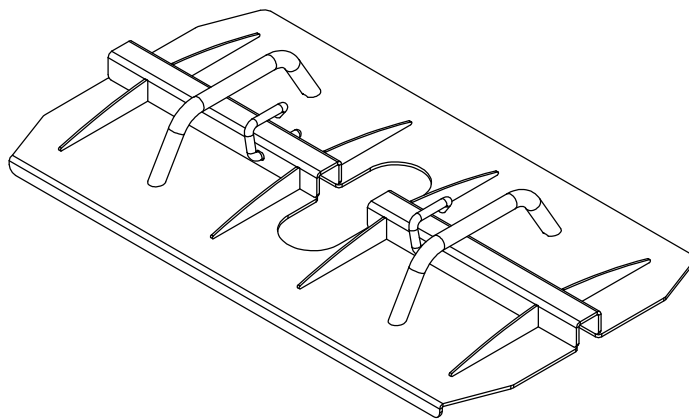


# VORTEX

OWNER'S MANUAL

VR-3300

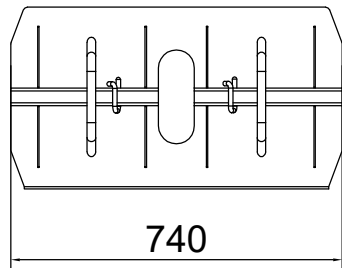
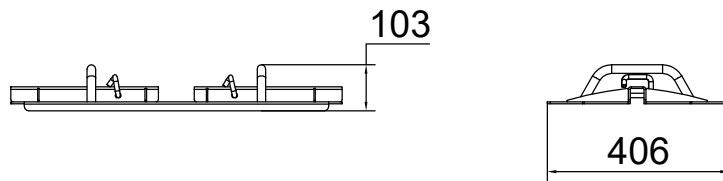


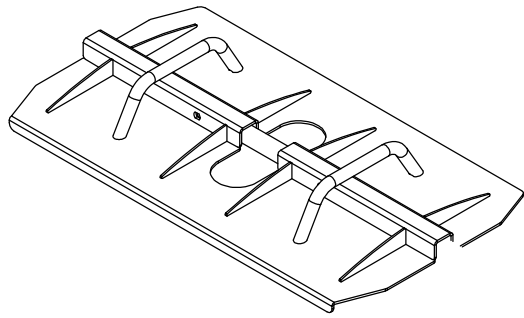
**CAUTION!**

Read all precautions and instructions in this manual before using this equipment.

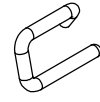
20241014-V1.0

**Assembled Dimension: 740mm x 406mm x 103mm**

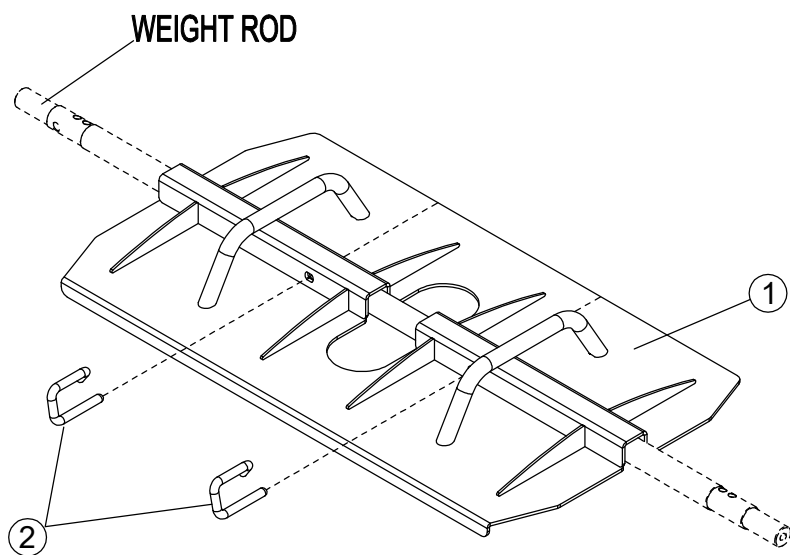




① × 1



② × 2



## PARTS LIST

KEY NO.	PART DESCRIPTION	SPEC	QTY
1	Foot Pedal Set		1
2	U Spring Pins	φ10×80	2